

SPECIFICATIONS

- Dimensions: 115 (W) × 60 (H) × 103 (D) mm
(projections are not included.) 4.5 (W) × 2.4 (H) × 4 (D) inch
- Weight (approximate): 200 g (7.1 oz)
- Charging temperature range: 10°C ~ 40°C (50°F ~ 104°F)
- Power supply requirement: 12 to 20 V DC or the specified Icom power adapter
- Charging current: 840 mA ±10% (rapid charging)
30 mA ±10mA (trickle charging)
- Electrostatic durability: Air discharge 8 kV
Contact discharge 4 kV

All stated specifications are subject to change without notice or obligation.

Icom is not responsible for the destruction or damage to the Icom product, if the malfunction is because of:

- Force majeure, including, but not limited to, fires, earthquakes, storms, floods, lightnings, or other natural disasters, disturbances, riots, war, or radioactive contamination.
- The use of Icom product with any equipment that is not manufactured or approved by Icom.

Icom, Icom Inc. and the Icom logo are registered trademarks of Icom Incorporated (Japan) in Japan, the United States, the United Kingdom, Germany, France, Spain, Russia, Australia, New Zealand, and/or other countries.

ICOM INSTRUCTIONS

DESKTOP CHARGER

BC-119N

Thank you for choosing the BC-119N DESKTOP CHARGER. The BC-119N charges a Ni-MH battery pack in approximately 1 to 2 hours or a Li-ion battery pack in approximately 2 to 3 hours.

READ ALL INSTRUCTIONS carefully and completely before using this product.

PRECAUTIONS

⚠ DANGER! NEVER charge other than the specified Icom Ni-MH or Li-ion batteries. Never charge or use an alkaline, dry cell, third-party, or counterfeit battery packs or charger adapter. Otherwise, a fire and/or explosion may occur.

⚠ DANGER! NEVER charge the battery packs in areas with extremely high temperatures, such as near fires or stoves, inside a sun heated vehicle, or in direct sunlight. In such environments, the safety/protection circuit in the battery will activate, causing the battery to stop charging.

⚠ DANGER! NEVER place the battery packs near a fire. Fire or heat may cause them to rupture or explode. Dispose of an used battery packing accordance with local regulations.

⚠ WARNING! NEVER insert the battery packs (with/without the transceiver) into the charger if it is wet or soiled. This could corrode the battery charger terminals or damage the charger. The charger is not waterproof.

⚠ WARNING! NEVER charge the battery packs during a lightning storm. It may result in an electric shock, cause a fire or damage the battery pack or transceiver. Always disconnect the power adapter before a storm.

CAUTION: DO NOT use the charger with the power adapter when it is covered by objects that impede heat dispersal.

CAUTION: DO NOT let metal, wire, and so on, touch any internal part of the charger.

CAUTION: DO NOT charge the battery outside of the specified temperature range: 10°C ~ 40°C (50°F ~ 104°F). Icom recommends charging the battery at 20°C (68°F). The battery may heat up or rupture if charged out of the specified temperature range. Additionally, battery performance or battery life may be reduced.

USE INDOORS ONLY! NEVER expose the charger to rain, snow or any liquids.

DO NOT leave the Li-ion battery pack in a fully charged, or completely discharged condition for long time. It causes shorter battery life. In case of leaving the battery pack unused for a long time, it must be kept safely after discharge, or use the battery until the battery level becomes middle level.

KEEP the charger away from TV sets or radios to prevent interference.

MAKE SURE battery and charger contacts are always clean. Otherwise, battery packs may not be charged properly.

NOTE: If your battery pack seems to have no capacity even after being fully charged, charge it again. If it still does not retain a charge (or very little), purchase a new battery pack.

DISPOSAL



The crossed-out wheeled-bin symbol on your product, literature, or packaging reminds you that in the European Union, all electrical and electronic products, batteries, and accumulators (rechargeable batteries) must be taken to designated collection locations at the end of their working life. Do not dispose of these products as unsorted municipal waste. Dispose of them according to the laws in your area.

ABOUT CE

CE Versions of the BC-119N which have the "CE" symbol on the product comply with the essential requirements of the 2014/30/EU directive for Electromagnetic Compatibility and the 2001/95/EC directive for General Product Safety.

ATTACHING A DESKTOP CHARGER ADAPTER

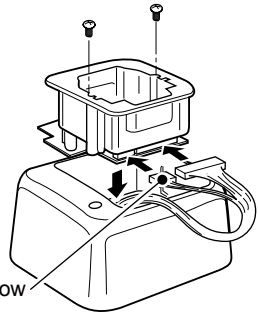
There are 2 desktop charger adapter types for the BC-119N. One has a PCB, the other does not. The non-PCB types require an additional PCB (AD-88). For some versions, a PCB is already installed in the BC-119N.

NOTE: The BC-119N may be able to be used with future transceivers. See your transceiver's instruction manual for the appropriate adapter information.

◆ For the PCB type

Connect the plugs of an appropriate desktop charger adapter and the BC-119N, then installed the adapter with the screws (supplied with the adapter). For some versions, the desktop charger adapter is already installed.

• Installing the PCB type adapter

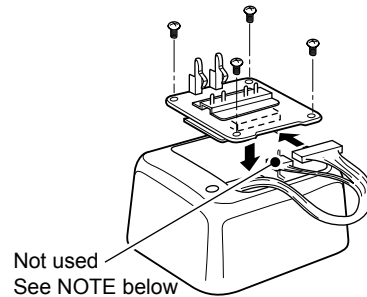


See NOTE below

◆ For types requiring the AD-88:

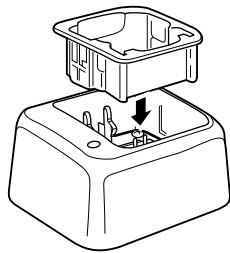
Install the optional AD-88 to the BC-119N with 4 screws (supplied with the AD-88), then attach a desktop charger adapter to the BC-119N. See the transceiver's instruction manual for an approved desktop charger adapter.

• Installing the AD-88



Not used
See NOTE below

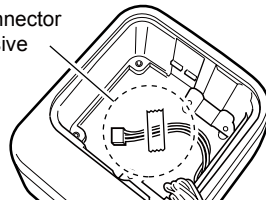
• Installing the non-PCB type adapter



NOTE about the 3-pin connector:

The 3-pin connector is necessary only for the Li-Ion compatible type adapter. When you replace the desktop charger adapter from the Li-Ion compatible type to non-compatible type, fix the 3-pin connector to the bottom of the charger with adhesive tape, to prevent catching or touching the 3-pin connector's terminals with the adapter's electrical parts.

Fix the connector with adhesive tape.



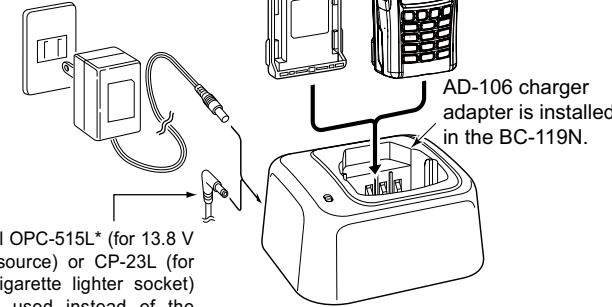
CHARGING

Charging example— AD-106 for IC-F3260 Series

Power adapter
(A different type, or no power adapter is supplied, depending on the version.)

Battery pack

Turn OFF the power
Transceiver



Optional OPC-515L* (for 13.8 V power source) or CP-23L (for 12 V cigarette lighter socket) can be used instead of the power adapter.

*CAUTION: NEVER connect the OPC-515L to a power source using reverse polarity. This will ruin the battery charger.
White line: ⊕ Black line: ⊖

• Status indicator

Light color	Status
Orange	Charging
Green	Charging is completed.*
Orange/Green (Blinks)	The battery pack or the charger has a problem.
Not lit	If the battery pack is properly inserted, it may have some problems.

* It is still charging in trickle charge mode when charging a Ni-MH battery pack.

IMPORTANT:

The transceiver **MUST** be turned **OFF** while charging. Otherwise:

- The battery will not be charged correctly.
- The battery life cycle may be shortened.

Do not transmit while charging. When you need to transmit, remove the transceiver from the charger, and turn **ON** the power.

NOTE:

- After charging is completed, the BC-119N automatically recharges a battery pack when the battery voltage decreases. If the battery pack is often left in the BC-119N for long periods of time, the battery life cycle will be shorter.
- The AD-88 has a temperature detection circuit for the Ni-MH battery. When the battery's temperature is outside the charging range, the AD-88 stops charging and the status indicator flashes until the temperature returns to within the range.